

TracPipe Submittal Drawings

Doc No.	Description	Applicable P/N(s)
FGP-SUB-CPG	Submittals Cover Page	N/A
FGP-SUB-001	TracPipe Gas Piping, 3/8" through 2"	FGP-SS4-XXX
FGP-SUB-002	Counterstrike Gas Piping, 3/8" through 2"	FGP-CS-XXX
FGP-SUB-003	TracPipe PS-II Gas Piping, 3/8" through 2"	FGP-UGP-XXX
FGP-SUB-004	AutoFlare Straight Fitting Assy	FGP-FST-XXX
FGP-SUB-005	AutoFlare Female Straight Fitting Assy	FGP-FSTF-XXX
FGP-SUB-006	AutoFlare Coupling Assy	FGP-CPLG-XXX
FGP-SUB-007	Flange Fitting Assy	FGP-BFF-XXX
FGP-SUB-008	Flange L Bracket	FGP-TERM-BRAC
FGP-SUB-009	90 Flange Fitting Assy	FGP-ELLB-XXX
FGP-SUB-010	90 Flange Valve Assy	FGP-BF90V-XXX
FGP-SUB-011	Termination Mount Assy	FGP-TM-XXX
FGP-SUB-012	90 Termination Mount Assy	FGP-90TM-XXX
FGP-SUB-013	90 Termination Valve Assy	FGP-TM90V-XXX
FGP-SUB-014	AutoFlare x Pipe NPT Tee	FGP-TXXX-XXX
FGP-SUB-015	AutoFlare Tee Assy	FGP-TFXXX-TXXX / FGP-RT-XXX
FGP-SUB-016	Key Valve Bracket Assy	FGP-KVB-XXX
FGP-SUB-017	Meter Termination Stub-out M-NPT	FGP-XXX MT
FGP-SUB-018	Meter Stub Bracket	FGP-STUD-BRAC
FGP-SUB-019	Appliance Stub-out M-NPT	FGP-ASP-500
FGP-SUB-020	Fireplace Stub-out M-NPT	FGP-FPT-500
FGP-SUB-021	Meter Termination TracPipe	FGP-MTX-XXX
FGP-SUB-022	Meter Termination Bracket	FGP-MT-BRAC
FGP-SUB-023	Metal Wall Box w/ Valve Assy	FGP-WBTM-XXX
FGP-SUB-024	Manifolds FGP-MI-SIZE	FGP-MI-PC, PC-1X, PC-2X
FGP-SUB-025	Manifold Bracket	FGP-MB2
FGP-SUB-026	Stackable Manifold	FGP-MI-ST-XXX
FGP-SUB-027	Stackable Manifold Bracket	FGP-MB-ST
FGP-SUB-028	Load Center w/ Manifold Bracket	FGP-LC
FGP-SUB-029	Bonding Clamps	FGP-GC-X
FGP-SUB-030	PS-II Coupling Assy	FGP-UGF-XXX
FGP-SUB-031	PS-II Adapter Assy	FGP-UGC-XXX
FGP-SUB-032	Striker Plates	FGP-SP-XXX
FGP-SUB-033	Ball Valve 5 psi	FGP-WBV-XXX
FGP-SUB-034	Quick Disconnect	FGP-QDS
FGP-SUB-036	90 deg Appliance Stub-out	FGP-ASP90S-XXX
FGP-SUB-037	AutoSnap Straight Fitting Assy.	FGP-SFST-XXX
FGP-SUB-038	AutoSnap Female Fitting	FGP-SFSTF-SIZE
FGP-SUB-039	AutoSnap Coupling Assy.	FGP-SCPLG-SIZE
FGP-SUB-040	AutoSnap Steel Flange Mount	FGP-SRFG-SIZE
FGP-SUB-041	Metal Wall Box w/ AutoSnap Valve Assy	FGP-SWBTM-SIZE
FGP-SUB-042	AutoSnap Tee X NPT	FGP-STXXX-XXX
FGP-SUB-043	AutoSnap Tee Fitting Tubing by Tubing	FGP-STFXXX-TXXX / FGP-SRT-XXX



Submittal Package

Project:

Engineer:

Contractor:

Submitted by:

Date:

*Gas Piping System(s) Included (check all that apply):

- TracPipe
- Counterstrike
- TracPipe PS-II

**Gas Piping System includes all related components attached*

Product

TracPipe Flexible Gas Piping, 3/8" through 2"

Project Information

Job Name:	Date Submitted:
Location:	Submitted By:
Engineer:	Approved By:
Contractor:	Manufacturer's Rep:

Installation

Must be installed in accordance with the TracPipe Design Guide and Installation Instructions and all applicable codes

Application Information

Yellow Jacketed Flexible Gas Piping for use in Natural Gas and Liquefied Petroleum (Propane) Gas applications. Used with TracPipe AutoFlare fittings and accessories.

Technical Data

Materials

Tubing	ASTM A240 300 Series Stainless Steel
Jacket	UV/Ozone Resistant Polyethylene with flame retardant

Pressure Ratings

Specification Operating Pressure	25 PSIG
CSA International Evaluation Report - Max Operating Pressure, 3/8" through 1-1/4"	125 PSIG

Temperature Ratings

Operating Temperature Range	-20 to 200 Deg F
Tubing Melting Point	2400 Deg F
Jacket Melting Point	350 Deg F



Codes

ICC Codes (IFGC, IRC, IMC, IPC), NFPA 54, UPC, CAN/CSA B149.1, NFPA 58

Standards

ANSI LC1 / CSA 6.26, UL 723 (ASTM E84), ANSI Z223.1

Listings

CSA, ICC PMG 1046, IAPMO (UPC) File No. 3682, UL (Through Penetration Firestop Systems)

Dimensional Information

✓	Size	*P/N	EHD	OD w/ Jacket (Nom. in.)	OD w/o Jacket (Nom. in.)	ID (Nom. In.)	Tubing Wall Thickness (in.)	Weight (lbs/ft)
<input type="checkbox"/>	3/8"	FGP-SS4-375-XXX	15	0.640	0.600	0.440	0.010	0.12
<input type="checkbox"/>	1/2"	FGP-SS4-500-XXX	19	0.828	0.788	0.597	0.010	0.16
<input type="checkbox"/>	3/4"	FGP-SS4-750-XXX	25	1.080	1.040	0.820	0.010	0.24
<input type="checkbox"/>	1"	FGP-SS4-100-XXX	31	1.355	1.315	1.060	0.010	0.31
<input type="checkbox"/>	1-1/4"	FGP-SS4-125-XXX	37	1.660	1.600	1.290	0.012	0.47
<input type="checkbox"/>	1-1/2"	FGP-SS4-150-XXX	46	1.900	1.840	1.525	0.012	0.56
<input type="checkbox"/>	2"	FGP-SS4-200-XXX	62	2.475	2.415	2.060	0.012	0.85

*XXX - Denotes Reel size (length of pipe) in feet

Omega Flex, Inc. * 451 Creamery Way* Exton, PA 19341

Tel: 610-524-7272 * Toll Free: 800-671-8622 * Fax: 610-524-7282

www.omegaflex.com

Product

CounterStrike Flexible Gas Piping, 3/8" through 2"

Project Information

Job Name:	Date Submitted:
Location:	Submitted By:
Engineer:	Approved By:
Contractor:	Manufacturer's Rep:

Installation

Must be installed in accordance with the TracPipe Design Guide and Installation Instructions and all applicable codes

Application Information

Conductive Jacketed Flexible Gas Piping for use in Natural Gas and Liquefied Petroleum (Propane) Gas applications. Used with TracPipe AutoFlare fittings and accessories.

Technical Data

Materials

Tubing	ASTM A240 300 Series Stainless Steel
Jacket	UV/Ozone Resistant Polyethylene with flame retardant

Pressure Ratings

Specification Operating Pressure	25 PSIG
CSA International Evaluation Report - Max Operating Pressure, 3/8" through 1-1/4"	125 PSIG

Temperature Ratings

Operating Temperature Range	-20 to 200 Deg F
Tubing Melting Point	2400 Deg F
Jacket Melting Point	350 Deg F



Codes

ICC Codes (IFGC, IRC, IMC, IPC), NFPA 54, UPC, CAN/CSA B149.1, NFPA 58

Standards

ANSI LC1 / CSA 6.26, UL 723 (ASTM E84), ICC LC 1024, ANSI Z223.1

Listings

CSA, ICC PMG 1058, UL (Through Penetration Firestop Systems), IAPMO ES ER-0227

Dimensional Information

✓	Size	*P/N	EHD	OD w/ Jacket (Nom. in.)	OD w/o Jacket (Nom. in.)	ID (Nom. In.)	Tubing Wall Thickness (in.)	Weight (lbs/ft)
<input type="checkbox"/>	3/8"	FGP-CS-375-XXX	15	0.700	0.600	0.440	0.010	0.15
<input type="checkbox"/>	1/2"	FGP-CS-500-XXX	19	0.888	0.788	0.597	0.010	0.21
<input type="checkbox"/>	3/4"	FGP-CS-750-XXX	25	1.140	1.040	0.820	0.010	0.28
<input type="checkbox"/>	1"	FGP-CS-1000-XXX	31	1.415	1.315	1.060	0.010	0.39
<input type="checkbox"/>	1-1/4"	FGP-CS-1250-XXX	37	1.700	1.600	1.290	0.012	0.52
<input type="checkbox"/>	1-1/2"	FGP-CS-1500-XXX	46	1.940	1.840	1.525	0.012	0.73
<input type="checkbox"/>	2"	FGP-CS-2000-XXX	62	2.515	2.415	2.060	0.012	0.91

*XXX - Denotes Reel size (length of pipe) in feet

Omega Flex, Inc. * 451 Creamery Way* Exton, PA 19341

Tel: 610-524-7272 * Toll Free: 800-671-8622 * Fax: 610-524-7282

www.omegaflex.com

Product

TracPipe PS-II Flexible Gas Piping, 3/8" through 2"

Project Information

Job Name:	Date Submitted:
Location:	Submitted By:
Engineer:	Approved By:
Contractor:	Manufacturer's Rep:

Installation

Must be installed in accordance with the TracPipe Design Guide and Installation Instructions and all applicable codes

Application Information

Black Jacketed "Pre-Sleeved" Flexible Gas Piping approved for direct burial in Underground Natural Gas and Liquefied Petroleum (Propane) Gas applications. Used with TracPipe PS-II Male Adapter fittings or Couplings.

Technical Data

Materials

Tubing	ASTM A240 300 Series Stainless Steel
Jacket	UV/Ozone Resistant Polyethylene

Pressure Ratings

Specification Operating Pressure	25 PSIG
CSA International Evaluation Report - Max Operating Pressure, 3/8" through 1-1/4"	125 PSIG

Temperature Ratings

Operating Temperature Range	-20 to 200 Deg F
Tubing Melting Point	2400 Deg F
Jacket Melting Point	350 Deg F



Codes

ICC Codes (IFGC, IRC, IMC, IPC), NFPA 54, UPC, CAN/CSA B149.1, NFPA 58

Standards

ANSI LC1 / CSA 6.26, ANSI Z223.1

Listings

CSA, ICC PMG 1052, IAPMO (UPC) File No. 4665

Dimensional Information

✓	Size	*P/N	EHD	OD w/ Jacket (Nom. in.)	OD w/o Jacket (Nom. in.)	ID (Nom. In.)	Tubing Wall Thickness (in.)	Weight (lbs/ft)
<input type="checkbox"/>	3/8"	FGP-UGP-375-XXX	15	0.820	0.600	0.440	0.010	0.23
<input type="checkbox"/>	1/2"	FGP-UGP-500-XXX	19	1.080	0.788	0.597	0.010	0.33
<input type="checkbox"/>	3/4"	FGP-UGP-750-XXX	25	1.320	1.040	0.820	0.010	0.43
<input type="checkbox"/>	1"	FGP-UGP-100-XXX	31	1.600	1.315	1.060	0.010	0.57
<input type="checkbox"/>	1-1/4"	FGP-UGP-125-XXX	37	1.960	1.600	1.290	0.012	0.91
<input type="checkbox"/>	1-1/2"	FGP-UGP-150-XXX	46	2.180	1.840	1.525	0.012	1.00
<input type="checkbox"/>	2"	FGP-UGP-200-XXX	62	2.800	2.415	2.060	0.012	1.47

*XXX - Denotes Reel size (length of pipe) in feet

Omega Flex, Inc. * 451 Creamery Way* Exton, PA 19341

Tel: 610-524-7272 * Toll Free: 800-671-8622 * Fax: 610-524-7282

www.omegaflex.com

Product

AutoFlare Straight Fitting (Male-NPT) Assembly for TracPipe and CounterStrike

Project Information

Job Name:	Date Submitted:
Location:	Submitted By:
Engineer:	Approved By:
Contractor:	Manufacturer's Rep:

Installation

Must be installed in accordance with the TracPipe Design Guide and Installation Instructions and all applicable codes

Application Information

Transition fitting between TracPipe or CounterStrike Tubing and NPT thread. Fitting thread is Male NPT. For use indoor, outdoor, and concealed location applications.



Technical Data

Materials

Nut, Adapter, and Split Rings	Yellow Brass
Insert and 1" Split Rings	Stainless Steel

Pressure Ratings (used with tubing)

Specification Operating Pressure	25 PSIG
CSA International Evaluation Report - Max Operating Pressure, 3/8" through 1-1/4"	125 PSIG

Temperature Ratings (used with tubing)

Operating Temperature Range	-20 to 200 Deg F
-----------------------------	------------------

Codes

ICC Codes (IFGC, IRC, IMC, IPC), NFPA 54 , UPC, CAN/CSA B149.1, NFPA 58

Standards

ANSI LC1 / CSA 6.26. ANSI Z223.1

Listings

CSA, ICC PMG 1046 / 1058, IAPMO (UPC) File No. 3682 / ES ER-0227

Dimensional Information

✓	Size	P/N	Diameter across flats (Nom. in.)	Fitting length (Nom. in.)	TracPipe or CounterStrike Size	Male NPT Pipe size	Weight (lbs)
<input type="checkbox"/>	3/8"	FGP-FST-375N	1"	2"	3/8"	3/8"	0.3
<input type="checkbox"/>	3/8"x1/2"	FGP-FST-375	1"	2"	3/8"	1/2"	0.4
<input type="checkbox"/>	1/2"	FGP-FST-500	1-1/8"	2"	1/2"	1/2"	0.4
<input type="checkbox"/>	1/2"x3/4"	FGP-RST500-750	1-1/8"	2"	1/2"	3/4"	0.4
<input type="checkbox"/>	3/4"	FGP-FST-750	1-3/8"	2-1/8"	3/4"	3/4"	0.5
<input type="checkbox"/>	3/4"x1/2"	FGP-RST750-500	1-3/8"	2"	3/4"	1/2"	0.5
<input type="checkbox"/>	1"	FGP-FST-1000	1-5/8"	2-3/8"	1"	1"	0.7
<input type="checkbox"/>	1"x3/4"	FGP-RST1000-750	1-5/8"	2-1/8"	1"	3/4"	0.7
<input type="checkbox"/>	1-1/4"	FGP-FST-1250	2-1/8"	2-5/8"	1-1/4"	1-1/4"	1.5
<input type="checkbox"/>	1-1/2"	FGP-FST-1500	2-1/2"	3"	1-1/2"	1-1/2"	2.1
<input type="checkbox"/>	2"	FGP-FST-2000	3-1/4"	3-1/16"	2"	2"	3.5

Omega Flex, Inc. * 451 Creamery Way* Exton, PA 19341

Tel: 610-524-7272 * Toll Free: 800-671-8622 * Fax: 610-524-7282

www.omegaflex.com

Product

AutoFlare Straight Fitting (Female-NPT) Assembly for TracPipe and CounterStrike

Project Information

Job Name:	Date Submitted:
Location:	Submitted By:
Engineer:	Approved By:
Contractor:	Manufacturer's Rep:

Installation

Must be installed in accordance with the TracPipe Design Guide and Installation Instructions and all applicable codes

Application Information

Transition fitting between TracPipe or CounterStrike Tubing and NPT thread. Fitting thread is Female NPT. For use indoor, outdoor, and concealed location applications.

Technical Data

Materials

Nut, Adapter, and Split Rings	Yellow Brass
Insert and 1" Split Rings	Stainless Steel

Pressure Ratings (used with tubing)

Specification Operating Pressure	25 PSIG
CSA International Evaluation Report - Max Operating Pressure, 3/8" through 1-1/4"	125 PSIG

Temperature Ratings (used with tubing)

Operating Temperature Range	-20 to 200 Deg F
-----------------------------	------------------



Codes

ICC Codes (IFGC, IRC, IMC, IPC), NFPA 54, UPC, CAN/CSA B149.1, NFPA 58

Standards


ANSI LC1 / CSA 6.26 ANSI Z223.1

Listings

CSA, ICC PMG 1046 / 1058, IAPMO (UPC) File No. 3682 / ES ER-0227

Dimensional Information

✓			<i>Diameter across flats (Nom. in.)</i>	<i>Fitting length (Nom. in.)</i>	<i>TracPipe or CounterStrike Size</i>	<i>Female NPT Pipe size</i>	<i>Weight (lbs)</i>
<i>Size</i>	<i>P/N</i>						
<input type="checkbox"/> 3/8"x1/2"	FGP-FSTF-375	1"	1-7/16"	3/8"	1/2"	0.2	
<input type="checkbox"/> 1/2"	FGP-FSTF-500	1-1/8"	1-1/2"	1/2"	1/2"	0.3	
<input type="checkbox"/> 3/4"	FGP-FSTF-750	1-3/8"	1-3/4"	3/4"	3/4"	0.5	
<input type="checkbox"/> 1"	FGP-FSTF-1000	1-5/8"	1-3/4"	1"	1"	0.6	

Product						
AutoFlare Coupling Assembly for TracPipe and CounterStrike						
Project Information						
Job Name:			Date Submitted:			
Location:			Submitted By:			
Engineer:			Approved By:			
Contractor:			Manufacturer's Rep:			
Installation						
Must be installed in accordance with the TracPipe Design Guide and Installation Instructions and all applicable codes						
Application Information						
Coupling fitting for use between like sizes of TracPipe or CounterStrike Tubing. For indoor, outdoor, and concealed location applications.						
Technical Data						
<u>Materials</u>						
Nut, Adapter, and Split Rings		Yellow Brass				
Insert and 1" Split Rings		Stainless Steel				
<u>Pressure Ratings (used with tubing)</u>						
Specification Operating Pressure		25 PSIG CSA International Evaluation Report -				
Max Operating Pressure, 3/8" through 1-1/4"		125 PSIG				
<u>Temperature Ratings (used with tubing)</u>						
Operating Temperature Range		-20 to 200 Deg F				
						
Codes						
ICC Codes (IFGC, IRC, IMC, IPC), NFPA 54, UPC, CAN/CSA B149.1, NFPA 58						
Standards						
ANSI LC1 / CSA 6.26, ANSI Z223.1						
Listings						
CSA, ICC PMG 1046 / 1058, IAPMO (UPC) File No. 3682 / ES ER-0227						
Dimensional Information						
✓	<i>Size</i>	<i>P/N</i>	<i>Diameter across flats (Nom. in.)</i>	<i>Fitting length (Nom. in.)</i>	<i>TracPipe or CounterStrike Size</i>	<i>Weight (lbs)</i>
<input type="checkbox"/>	3/8"	FGP-CPLG-375	1"	2"	3/8" X 3/8"	0.3
<input type="checkbox"/>	1/2"	FGP-CPLG-500	1-1/8"	2-1/16"	1/2" X 1/2"	0.5
<input type="checkbox"/>	3/4"	FGP-CPLG-750	1-3/8"	2-1/4"	3/4" X 3/4"	0.7
<input type="checkbox"/>	1"	FGP-CPLG-1000	1-5/8"	2-11/32"	1" X 1"	0.9
<input type="checkbox"/>	1-1/4"	FGP-CPLG-1250	2-1/8"	2-7/8"	1-1/4" X 1-1/4"	2.0
<input type="checkbox"/>	1-1/2"	FGP-CPLG-1500	2-1/2"	3-3/8"	1-1/2" X 1-1/2"	3.3
<input type="checkbox"/>	2"	FGP-CPLG-2000	3-1/4"	3-5/8"	2" X 2"	5.5

Product

Flange Fitting (Male- NPT) Assembly for TracPipe and CounterStrike

Project Information

Job Name:	Date Submitted:
Location:	Submitted By:
Engineer:	Approved By:
Contractor:	Manufacturer's Rep:

Installation

Must be installed in accordance with the TracPipe Design Guide and Installation Instructions and all applicable codes

Application Information

Termination fitting between TracPipe or CounterStrike Tubing and NPT thread. Fitting thread is Male NPT. For use indoor, outdoor, and concealed location applications.



Technical Data

Materials

Nut, Adapter, Flange and Split Rings	Yellow Brass
Insert and 1" Split Rings	Stainless Steel

Pressure Ratings (used with tubing)

Specification Operating Pressure	25 PSIG
CSA International Evaluation Report - Max Operating Pressure, 3/8" through 1-1/4"	125 PSIG

Temperature Ratings (used with tubing)

Operating Temperature Range	-20 to 200 Deg F
-----------------------------	------------------

Codes

ICC Codes (IFGC, IRC, IMC, IPC), NFPA 54, UPC, CAN/CSA B149.1, NFPA 58

Standards

ANSI LC1 / CSA 6.26, ANSI 223.1

Listings

CSA, ICC PMG 1046 / 1058, IAPMO (UPC) File No. 3682 / ES ER-0227

Dimensional Information

✓	Size	P/N	Diameter across flats (Nom. in.)	Fitting length (Nom. in.)	TracPipe or CounterStrike Size	Flange Diameter	Weight (lbs)
<input type="checkbox"/>	3/8"	FGP-BFF-375	1"	2-5/8"	3/8"	3-1/4"	0.7
<input type="checkbox"/>	1/2"	FGP-BFF-500	1-1/8"	2-5/8"	1/2"	3-1/4"	0.7
<input type="checkbox"/>	3/4"	FGP-BFF-750	1-3/8"	2-11/16"	3/4"	3-7/16"	1.3
<input type="checkbox"/>	1"	FGP-BFF-1000	1-5/8"	3"	1"	3-7/16"	1.5
<input type="checkbox"/>	1-1/4"	FGP-BFF-1250	2-1/8"	3-1/2"	1-1/4"	4"	2.6

Omega Flex, Inc. * 451 Creamery Way* Exton, PA 19341
Tel: 610-524-7272 * Toll Free: 800-671-8622 * Fax: 610-524-7282
www.omegaflex.com

Product

Mounting Bracket for Flange Fitting Assembly (optional)

Project Information

Job Name: _____ Date Submitted: _____

Location: _____ Submitted By: _____

Engineer: _____ Approved By: _____

Contractor: _____ Manufacturer's Rep: _____

Installation

Must be installed in accordance with the TracPipe Design Guide and Installation Instructions and all applicable codes

Application Information

May be used for rigid mounting of a TracPipe or CounterStrike Flange Fitting. For indoor, outdoor and concealed location applications.



Technical Data

Materials

Galvanized Steel

Pressure Ratings (used with tubing)

N/A

Temperature Ratings (used with tubing)

Operating Temperature Range -20 to 200 Deg F

Codes

Standards

Listings

Dimensional Information

<input checked="" type="checkbox"/>	Size	P/N	L x W x D	TracPipe or CounterStrike Size	Weight (lbs)
<input type="checkbox"/>	ALL	FGP-TERM BRAC	5" x 5" x 2-3/4"	3/8" thru 1-1/4"	0.3

Product

90° Flange Fitting (Male - NPT) Assembly for TracPipe or CounterStrike

Project Information

Job Name:	Date Submitted:
Location:	Submitted By:
Engineer:	Approved By:
Contractor:	Manufacturer's Rep:

Installation

Must be installed in accordance with the TracPipe Design Guide and Installation Instructions and all applicable codes

Application Information

Termination fitting for rigid mounting of TracPipe or CounterStrike Tubing and provide a NPT thread. Fitting thread is Male NPT. For use indoor, outdoor, and concealed location applications.

Technical Data

Materials

Nut, Adapter, Flange and Split Rings	Yellow Brass
Insert	Stainless Steel

Pressure Ratings (used with tubing)

Specification Operating Pressure	25 PSIG
CSA International Evaluation Report - Max Operating Pressure, 3/8" and 1/2"	125 PSIG

Temperature Ratings (used with tubing)

Operating Temperature Range	-20 to 200 Deg F
-----------------------------	------------------

Codes

ICC Codes (IFGC, IRC, IMC, IPC), NFPA 54, UPC, CAN/CSA B149.1, NFPA 58

Standards

ANSI LC1 / CSA 6.26 ANSI Z223.1

Listings

CSA, ICC PMG 1046 / 1058, IAPMO (UPC) File No. 3682 / ES ER-0227

Dimensional Information

✓	Size	P/N	Diameter across flats (Nom. in.)	Length (Nom. in.)	TracPipe or CounterStrike Size	Flange Diameter	Weight (lbs)
<input type="checkbox"/>	3/8"	FGP-ELLB-375	1"	2-11/16"	3/8"	3-1/4"	1.1
<input type="checkbox"/>	1/2"	FGP-ELLB-500	1-1/8"	2-11/16"	1/2"	3-1/4"	1.0



Product

90° Flange Fitting (Valve - Female NPT) Assembly for TracPipe or CounterStrike

Project Information

Job Name:	Date Submitted:
Location:	Submitted By:
Engineer:	Approved By:
Contractor:	Manufacturer's Rep:

Installation

Must be installed in accordance with the TracPipe Design Guide and Installation Instructions and all applicable codes

Application Information

Termination fitting between TracPipe or CounterStrike tubing and Appliance Shut-off Valve with NPT thread. Fitting thread is Female NPT. For indoor use only.

Technical Data

Materials

Nut, Adapter, Flange and Split Rings	Yellow Brass
Insert	Stainless Steel
Valve Body	Plated Brass

Pressure Ratings (used with tubing)

Specification Operating Pressure	1/2 PSIG
Max Test Pressure	60 PSIG

Temperature Ratings (used with tubing)

Operating Temperature Range	32 to 125 Deg F
-----------------------------	-----------------



Codes

ICC Codes (IFGC, IRC, IMC, IPC), NFPA 54, UPC, CAN/CSA B149.1, NFPA 58

Standards

ANSI LC1 / CSA 6.26, ANSI Z21.15, ANSI Z223.1

Listings

CSA, ICC PMG 1046 / 1058, IAPMO (UPC) File No. 3682 / ES ER-0227


Dimensional Information

✓	Size	P/N	Diameter across flats (Nom. in.)	Fitting length (Nom. in.)	TracPipe or CounterStrike Size	Flange Diameter	Weight (lbs)
<input type="checkbox"/>	3/8"	FGP-BF90V-375	1"	3-5/8"	3/8"	3-1/4"	1.2
<input type="checkbox"/>	1/2"	FGP-BF90V-500	1-1/8"	3-7/8"	1/2"	3-1/4"	1.20
<input type="checkbox"/>	3/4"	FGP-BF90V-750	1-3/8"	4-3/4"	3/4"	3-7/16"	1.7

Omega Flex, Inc. * 451 Creamery Way* Exton, PA 19341

Tel: 610-524-7272 * Toll Free: 800-671-8622 * Fax: 610-524-7282

www.omegaflex.com

Product								
Termination Mount (Male - NPT) Assembly for TracPipe and CounterStrike								
Project Information								
Job Name:			Date Submitted:					
Location:			Submitted By:					
Engineer:			Approved By:					
Contractor:			Manufacturer's Rep:					
Installation								
Must be installed in accordance with the TracPipe Design Guide and Installation Instructions and all applicable codes								
Application Information								
Termination fitting between TracPipe or CounterStrike Tubing and NPT thread. Fitting thread is Male NPT. For use indoor, outdoor, and concealed location applications.								
Technical Data								
<u>Materials</u>								
Nut, Adapter, and Split Rings		Yellow Brass						
Insert		Stainless Steel						
Mounting Bracket		Galvanized Steel						
<u>Pressure Ratings (used with tubing)</u>								
Specification Operating Pressure		25 PSIG						
CSA Internatiional Evaluation Report - Max Opreating Pressure, 3/8" through 1"		125 PSIG						
<u>Temperature Ratings (used with tubing)</u>								
Operating Temperature Range		-20 to 200 Deg F						
Codes								
ICC Codes (IFGC, IRC, IMC, IPC), NFPA 54, UPC, CAN/CSA B149.1, NFPA 58								
Standards								
ANSI LC1 / CSA 6.26, ANSI Z21.15, ANSI Z223.1								
Listings								
CSA, ICC PMG 1046 / 1058, IAPMO (UPC) File No. 3682 / ES ER-0227								
Dimensional Information								
✓			<i>Diameter across flats (Nom. in.)</i>	<i>L X W X H</i>	<i>TracPipe or CounterStrike</i>			
	<i>Size</i>	<i>P/N</i>			<i>Size</i>	<i>Weight (lbs)</i>		
<input type="checkbox"/>	3/8"	FGP-TM-375	1"	6-3/8" X 4" X 2-3/8"	3/8"	0.9		
<input type="checkbox"/>	1/2"	FGP-TM-500	1-1/8"	6-3/8" X 4" X 2-7/16"	1/2"	1		
<input type="checkbox"/>	3/4"	FGP-TM-750	1-3/8"	6-3/8" X 4" X 2-1/2"	3/4"	1.1		
<input type="checkbox"/>	3/4"x 1/2"	FGP-TM-750-500	1-3/8"	6-3/8" X 4" X 2-1/2"	3/4"	1.1		
<input type="checkbox"/>	1"	FGP-TM-1000	1-5/8"	6-3/8" X 4" X 2-3/4"	1"	1.3		

Omega Flex, Inc. * 451 Creamery Way* Exton, PA 19341

Tel: 610-524-7272 * Toll Free: 800-671-8622 * Fax: 610-524-7282

www.omegaflex.com

Product

90° Termination Mount (Male - NPT) Assembly for TracPipe and CounterStrike

Project Information

Job Name:	Date Submitted:
Location:	Submitted By:
Engineer:	Approved By:
Contractor:	Manufacturer's Rep:

Installation

Must be installed in accordance with the TracPipe Design Guide and Installation Instructions and all applicable codes

Application Information

Termination fitting between TracPipe or CounterStrike Tubing and NPT thread. Fitting thread is Male NPT. For use indoor, outdoor, and concealed location applications.

Technical Data

<u>Materials</u>	
Nut, Adapter, and Split Rings	Yellow Brass
Insert	Stainless Steel
Mounting Bracket	Galvanized Steel
<u>Pressure Ratings (used with tubing)</u>	
Specification Operating Pressure	25 PSIG
CSA International Evaluation Report - Max Operating Pressure, 3/8" and 1/2"	125 PSIG
<u>Temperature Ratings (used with tubing)</u>	
Operating Temperature Range	-20 to 200 Deg F



Codes

ICC Codes (IFGC, IRC, IMC, IPC), NFPA 54, UPC, CAN/CSA B149.1, NFPA 58

Standards

ANSI LC1 / CSA 6.26, ANSI Z223.1

Listings

CSA, ICC PMG 1046 / 1058, IAPMO (UPC) File No. 3682 / ES ER-0227

Dimensional Information

✓	Size	P/N	Diameter across flats (Nom. in.)	L X W X H	TracPipe or CounterStrike Size	Weight (lbs)
<input type="checkbox"/>	3/8"	FGP-90TM-375	1"	6-3/8" x 4" x 2-1/2"	3/8"	1.2
<input type="checkbox"/>	1/2"	FGP-90TM-500	1-1/8"	6-3/8" x 4" x 2-9/16"	1/2"	1.2

Product

90° Termination Mount (Valve - Female NPT) Assembly for TracPipe or CounterStrike

Project Information

Job Name:	Date Submitted:
Location:	Submitted By:
Engineer:	Approved By:
Contractor:	Manufacturer's Rep:

Installation

Must be installed in accordance with the TracPipe Design Guide and Installation Instructions and all applicable codes

Application Information

Termination fitting between TracPipe or CounterStrike Tubing with appliance shut-off valve and NPT thread. Fitting thread is Female NPT. For indoor use only.

Technical Data

Materials

Nut, Adapter, and Split Rings	Yellow Brass
Insert	Stainless Steel
Mounting Bracket	Galvanized Steel
Valve Body	Plated Brass

Pressure Ratings (used with tubing)

Specification Operating Pressure	1/2 PSIG
Max Test Pressure	60 PSIG

Temperature Ratings (used with tubing)

Operating Temperature Range	32 to 125 Deg F
-----------------------------	-----------------



Codes

ICC Codes (IFGC, IRC, IMC, IPC), NFPA 54, UPC, CAN/CSA B149.1, NFPA 58

Standards

ANSI LC1 / CSA 6.26, ANSI Z21.15, ANSI Z223.1

Listings

CSA, ICC PMG 1046 / 1058, IAPMO (UPC) File No. 3682 /ES ER-0227

Dimensional Information

✓	Size	P/N	Diameter across flats (Nom. in.)	L X W X H	TracPipe or CounterStrike Size	Weight (lbs)
<input type="checkbox"/>	3/8"	FGP-TM90V-375	1"	6-3/8" x 4" x 3-1/2"	3/8"	1.3
<input type="checkbox"/>	1/2"	FGP-TM90V-500	1-1/8"	6-3/8" x 4" x 3-3/4"	1/2"	1.3
<input type="checkbox"/>	3/4"	FGP-TM90V-750	1-3/8"	6-3/8" x 4" x 4-9/16"	3/4"	1.7

Product

Tee Fitting Tubing by Pipe Outlet for TracPipe and CounterStrike

Project Information

Job Name:	Date Submitted:
Location:	Submitted By:
Engineer:	Approved By:
Contractor:	Manufacturer's Rep:

Installation

Must be installed in accordance with the TracPipe Design Guide and Installation Instructions and all applicable codes

Application Information

Tee fittings for TracPipe and CounterStrike. Tubing Runs by Pipe Branch. Branch Thread is NPT



Technical Data

Materials

Nut, Adapter, and Split Rings	Yellow Brass
Insert and 1" Split Rings	Stainless Steel

Pressure Ratings (used with tubing)

Specification Operating Pressure	25 PSIG
CSA International Evaluation Report - Max Operating Pressure	125 PSIG

Temperature Ratings (used with tubing)

Operating Temperature Range	-20 to 200 Deg F
-----------------------------	------------------

Codes

ICC Codes (IFGC, IRC, IMC, IPC), NFPA 54, UPC, CAN/CSA B149.1, NFPA 58

Standards

ANSI LC1 / CSA 6.26, ANSI Z223.1

Listings

CSA, ICC PMG 1046 / 1058, IAPMO (UPC) File No. 3682 / ES ER-0227


Dimensional Information

✓	Size	P/N	NPT	Diameter across flats (Nom. in.)	TracPipe or CounterStrike Size	Weight (lbs)
<input type="checkbox"/>	1/2"	FGP-T500-750	3/4" MNPT	1-1/8"	1/2"	1
<input type="checkbox"/>	1/2"	FGP-T500-500	1/2" FNPT	1-1/8"	1/2"	1
<input type="checkbox"/>	3/4"	FGP-T750-500	1/2" FNPT	1-3/8"	3/4"	1.6
<input type="checkbox"/>	3/4"	FGP-T750-750	3/4" FNPT	1-3/8"	3/4"	1.6
<input type="checkbox"/>	1"	FGP-T1000-1000	1" FNPT	1-5/8"	1"	2.2

Omega Flex, Inc. * 451 Creamery Way* Exton, PA 19341

Tel: 610-524-7272 * Toll Free: 800-671-8622 * Fax: 610-524-7282

www.omegaflex.com

Product						
Tee Fitting Tubing by Tubing for TracPipe and CounterStrike						
Project Information						
Job Name:			Date Submitted:			
Location:			Submitted By:			
Engineer:			Approved By:			
Contractor:			Manufacturer's Rep:			
Installation						
Must be installed in accordance with the TracPipe Design Guide and Installation Instructions and all applicable codes						
Application Information						
						
Technical Data						
<u>Materials</u>						
Nut, Adapter, and Split Rings			Yellow Brass			
Insert and 1" Split Rings			Stainless Steel			
<u>Pressure Ratings (used with tubing)</u>						
Specification Operating Pressure			25 PSIG CSA International			
Evaluation Report - Max Operating Pressure, 3/8" through 1-1/4" 125 PSIG						
<u>Temperature Ratings (used with tubing)</u>						
Operating Temperature Range			-20 to 200 Deg F			
Codes						
ICC Codes (IFGC, IRC, IMC), NFPA 54 / ANSI Z223.1, UPC, CAN/CSA B149.1, NFPA 58						
Standards						
ANSI LC1 / CSA 6.26, ANSI Z223.1						
Listings						
CSA, ICC PMG 1046 / 1052 / 1058, IAPMO (UPC) File No. 3682, / ES ER-02257						
Dimensional Information						
✓			<i>R X R X B Sizes TracPipe or CounterStrike Sizes</i>	<i>Diameter Across Hex Flats X R X B</i>	<i>R (Nom.)</i>	<i>Weight (lbs.)</i>
	<i>Size</i>	<i>P/N</i>		<i>In.)</i>		
<input type="checkbox"/>	1/2"	FGP-TF500-T500	1/2" x 1/2" x 1/2"	1-1/8" x 1-1/8" x 1-1/8"		1.0
<input type="checkbox"/>	3/4"	FGP-TF750-T500	3/4" x 3/4" x 3/4"	1-3/8" x 1-3/8" x 1-3/8"		1.6
<input type="checkbox"/>	1"	FGP-TF1000-T1000	1" x 1" x 1"	1-5/8" x 1-5/8" x 1-5/8"		2.2
<input type="checkbox"/>	1/2"	FGP-RT-501	1/2" x 3/8" x 3/8"	1-1/8" x 1" x 1"		0.9
<input type="checkbox"/>	3/4"	FGP-RT-751	3/4" x 1/2" x 3/8"	1-3/8" x 1-1/8" x 1"		1.1
<input type="checkbox"/>	3/4"	FGP-RT-752	3/4" x 1/2" x 1/2"	1-3/8" x 1-1/8" x 1-1/8"		1.1
<input type="checkbox"/>	1"	FGP-RT-1001	1" x 3/4" x 1/2"	1-5/8" x 1-3/8" x 1-1/8"		1.8
<input type="checkbox"/>	1"	FGP-RT-1002	1" x 3/4" x 3/4"	1-5/8" x 1-3/8" x 1-3/8"		1.8
<input type="checkbox"/>	3/4"	FGP-TF750-T500	3/4" x 3/4" x 1/2"	1-3/8" x 1-3/8" x 1-1/8"		1.6
<input type="checkbox"/>	1"	FGP-TF1000-T750	1" x 1" x 3/4"	1-5/8" x 1-5/8" x 1-3/8"		2.1
<input type="checkbox"/>	1"	FGP-TF1000-T500	1" x 1" x 1/2"	1-5/8" x 1-5/8" x 1-1/8"		2.2
<input type="checkbox"/>	1-1/4"	FGP-TF1250-T1000	1-1/4" x 1-1/4" x 1"	2-1/8" x 2-1/8" x 1-5/8"		2.7
<input type="checkbox"/>	1-1/4"	FGP-TF1250-T750	1-1/4" x 1-1/4" x 3/4"	2-1/8" x 2-1/8" x 1-3/8"		2.6

OmegaFlex, Inc. * 451 Creamery Way* Exton, PA 19341

Tel: 610-524-7272 * Toll Free: 800-671-8622 * Fax: 610-524-7282

www.omegaflex.com

Product

Tee Fitting Tubing by Tubing for TracPipe and CounterStrike

Project Information

Job Name:	Date Submitted:
Location:	Submitted By:
Engineer:	Approved By:
Contractor:	Manufacturer's Rep:

Installation

Must be installed in accordance with the TracPipe Design Guide and Installation Instructions and all applicable codes

✓	Size	P/N	R X R X B Sizes TracPipe or CounterStrike Sizes	Diameter Across Hex Flats X R X B In.)	R (Nom.)	Weight (lbs.)
<input type="checkbox"/>	1-1/4"	FGP-1250-T500	1-1/4" X 1-1/4" X 1/2"	2-1/8" X 2-1/8" X 1-1/8"		2.6
<input type="checkbox"/>	1-1/4"	FGP-RT-1251	1-1/4" X 1" X 1"	2-1/8" X 1-5/8" X 1-5/8"		2.2
<input type="checkbox"/>	1-1/4"	FGP-RT-1252	1-1/4" X 1" X 3/4"	2-1/8" X 1-5/8" X 1-3/8"		2.2
<input type="checkbox"/>	1-1/4"	FGP-RT-1253	1-1/4" X 1" X 1/2"	2-1/8" X 1-5/8" X 1-1/8"		2.1
<input type="checkbox"/>	1-1/2"	FGP-TF1500-T1250	1-1/2" X 1-1/2" X 1-1/4"	2-1/2" X 2-1/2" X 2-1/8"		4.4
<input type="checkbox"/>	1-1/2"	FGP-TF1500-T1000	1-1/2" X 1-1/2" X 1"	2-1/2" X 2-1/2" X 1-5/8"		4.1
<input type="checkbox"/>	1-1/2"	FGP-TF1500-T750	1-1/2" X 1-1/2" X 3/4"	2-1/2" X 2-1/2" X 1-3/8"		4.1
<input type="checkbox"/>	1-1/2"	FGP-TF1500-T500	1-1/2" X 1-1/2" X 1/2"	2-1/2" X 2-1/2" X 1-1/8"		4.0
<input type="checkbox"/>	1-1/2"	FGP-RT-1502	1-1/2" X 1-1/4" X 1-1/4"	2-1/2" X 2-1/8" X 2-1/8"		3.7
<input type="checkbox"/>	1-1/2"	FGP-RT-1502	1-1/2" X 1-1/4" X 1"	2-1/2" X 2-1/8" X 1-5/8"		3.6
<input type="checkbox"/>	1-1/2"	FGP-RT-1503	1-1/2" X 1-1/4" X 3/4"	2-1/2" X 2-1/8" X 1-3/8"		3.6
<input type="checkbox"/>	1-1/2"	FGP-RT-1504	1-1/2" X 1-1/4" X 1/2"	2-1/2" X 2-1/8" X 1-1/8"		3.5
<input type="checkbox"/>	2"	FGP-TF2000-T1500	2" X 2" X 1-1/2"	3-1/4" X 3-1/4" X 2-1/2"		7.4
<input type="checkbox"/>	2"	FGP-TF2000-T1250	2" X 2" X 1-1/4"	3-1/4" X 3-1/4" X 2-1/8"		7.2
<input type="checkbox"/>	2"	FGP-TF2000-T1000	2" X 2" X 1"	3-1/4" X 3-1/4" X 1-5/8"		7.0
<input type="checkbox"/>	2"	FGP-TF2000-T750	2" X 2" X 3/4"	3-1/4" X 3-1/4" X 1-3/8"		7.0
<input type="checkbox"/>	2"	FGP-TF2000-T500	2" X 2" X 1/2"	3-1/4" X 3-1/4" X 1-1/8"		7.0
<input type="checkbox"/>	2"	FGP-RT-2001	2" X 1-1/2" X 1-1/2"	3-1/4" X 2-1/2" X 2-1/2"		6.5
<input type="checkbox"/>	2"	FGP-RT-2002	2" X 1-1/2" X 1-1/4"	3-1/4" X 2-1/2" X 2-1/8"		6.3
<input type="checkbox"/>	2"	FGP-RT-2003	2" X 1-1/2" X 1"	3-1/4" X 2-1/2" X 1-5/8"		6.1
<input type="checkbox"/>	2"	FGP-RT-2004	2" X 1-1/2" X 3/4"	3-1/4" X 2-1/2" X 1-3/8"		6.1
<input type="checkbox"/>	2"	FGP-RT-2005	2" X 1-1/2" X 1/2"	3-1/4" X 2-1/2" X 1-1/8"		6.1

Product

Key Valve Bracket Assembly for TracPipe and CounterStrike

Project Information

Job Name:	Date Submitted:
Location:	Submitted By:
Engineer:	Approved By:
Contractor:	Manufacturer's Rep:

Installation

Must be installed in accordance with the TracPipe Design Guide and Installation Instructions and all applicable codes

Application Information

Use for but not limited to rigid mount of fireplace key valve for TracPipe and CounterStrike. May be used indoor, outdoor and in concealed locations.



Technical Data

Materials

Nut, Adapter, and Split Rings	Yellow Brass
Insert	Stainless Steel
Bracket	Galvanized Steel

Pressure Ratings (used with tubing)

Specification Operating Pressure	25 PSIG
CSA International Evaluation Report - Max Operating Pressure	
3/8" through 3/4"	125 PSIG

Temperature Ratings (used with tubing)

Operating Temperature Range	-20 to 200 Deg F
-----------------------------	------------------

Codes

ICC Codes (IFGC, IRC, IMC, IPC), NFPA 54, UPC, CAN/CSA B149.1, NFPA 58

Standards


ANSI LC1 / CSA 6.26, ANSI Z223.1

Listings

CSA, ICC PMG 1046 / 1058, IAPMO (UPC) File No. 3682 / ES ER-0227

Dimensional Information

✓			Diameter	TracPipe or	Weight (lbs)
	Size	P/N	across flats	CounterStrike	
			(Nom. in.)	Size	
<input type="checkbox"/>	3/8"	FGP-KVB-375	1"	3/8"	0.50
<input type="checkbox"/>	1/2"	FGP-KVB-500	1-1/8"	1/2"	0.54
<input type="checkbox"/>	3/4" x 1/2"	FGP-KVB750-500	1-3/8"	3/4"	0.77

Product						
Meter Termination Stub-Out (Male - NPT)						
Project Information						
Job Name:			Date Submitted:			
Location:			Submitted By:			
Engineer:			Approved By:			
Contractor:			Manufacturer's Rep:			
Installation						
Must be installed in accordance with the TracPipe Design Guide and Installation Instructions and all applicable codes						
Application Information						
Schedule 40 B.I.P. Meter Stub-Out						
Technical Data						
Materials						
Schedule 40 Black Iron Pipe						
Pressure Ratings (used with tubing)						
Specification Operating Pressure			25 PSIG			
CSA International Evaluation Report - Max Operating Pressure						
3/8" through 3/4"			125 PSIG			
Temperature Ratings (used with tubing)						
Operating Temperature Range			-20 to 200 Deg F			
Codes						
ICC Codes (IFGC, IRC, IMC, IPC), NFPA 54 , UPC, CAN/CSA B149.1, NFPA 58						
Standards						
Listings						
Dimensional Information						
✓			<i>Mounting Flange Dim (Nom. in.)</i>	<i>Fitting length (Nom. in.)</i>	<i>TracPipe or CounterStrike Size</i>	<i>Weight (lbs)</i>
<input type="checkbox"/>	Size	P/N				
<input type="checkbox"/>	1" x 6"	FGP-1X6 MT	5" x 5"	6"	N/A	1.35
<input type="checkbox"/>	1" x 12"	FGP-1X12 MT	5" x 5"	12"	N/A	1.95

Omega Flex, Inc. * 451 Creamery Way* Exton, PA 19341

Tel: 610-524-7272 * Toll Free: 800-671-8622 * Fax: 610-524-7282

www.omegaflex.com

Product

Meter Stub Bracket

Project Information

Job Name:	Date Submitted:
Location:	Submitted By:
Engineer:	Approved By:
Contractor:	Manufacturer's Rep:

Installation

Must be installed in accordance with the TracPipe Design Guide and Installation Instructions and all applicable codes

Application Information

For use with FGP-MT Series Meter Terminations (optional) Fits between standard 16" O.C. framing

Technical Data

Materials

Galvanized Steel

Pressure Ratings (used with tubing)

N/A

Temperature Ratings (used with tubing)

Operating Temperature Range -20 to 200 Deg F



Codes

Standards

Listings

Dimensional Information

✓

	Size	P/N	L x H x D	Weight (lbs)
<input type="checkbox"/>	All	FGP-STUD-BRAC	14-1/2" x 6" x 3-3/8"	2.1

Product

Appliance Stub Out for Use with TracPipe and CounterStrike

Project Information

Job Name:	Date Submitted:
Location:	Submitted By:
Engineer:	Approved By:
Contractor:	Manufacturer's Rep:

Installation

Must be installed in accordance with the TracPipe Design Guide and Installation Instructions and all applicable codes

Application Information

Schedule 40 B.I.P. stub out for use at movable appliance locations, with mounting plate

Technical Data

Materials

Schedule 40 B.I.P.
Mounting Plate 12 Ga. Carbon Steel

Pressure Ratings (used with tubing)

Specification Operating Pressure 25 PSIG
CSA International Evaluation Report - Max Operating Pressure,
3/8" through 1-1/4" 125 PSIG

Temperature Ratings (used with tubing)

Operating Temperature Range -20 to 200 Deg F



Codes

Standards

NPT Thread per ANSI B1.20.1

Listings

Dimensional Information

<input checked="" type="checkbox"/>	Size	P/N	Mounting Flange Dim (Nom)	Fitting length (Nom. in.)	TracPipe or CounterStrike Size	Weight (lbs)
<input type="checkbox"/>	1/2"	FGP-ASP-500	5" x 5"	2-9/16"	1/2"	0.72

Product

Fireplace Stub-Out (Male - NPT) for Use with TracPipe and CounterStrike

Project Information

Job Name:	Date Submitted:
Location:	Submitted By:
Engineer:	Approved By:
Contractor:	Manufacturer's Rep:

Installation

Must be installed in accordance with the TracPipe Design Guide and Installation Instructions and all applicable codes

Application Information

Mounting plate with NPT B.I.P. Nipple. Angled to match the fireplace cabinet penetration requirements.



Technical Data

Materials

Schedule 40 B.I.P.
Mounting Plate 12 ga. Carbon Steel

Pressure Ratings (used with tubing)

Specification Operating Pressure	25 PSIG
CSA International Evaluation Report - Max Operating Pressure, 3/8" through 1-1/4"	125 PSIG

Temperature Ratings (used with tubing)

Operating Temperature Range	-20 to 200 Deg F
-----------------------------	------------------

Codes

Standards

NPT Threads per ANSI B1.20.1

Listings

Dimensional Information

✓	Size	P/N	Flange Mount Dim (Nom)	Fitting length (Nom. in.)	TracPipe or CounterStrike Size	Weight (lbs)
<input type="checkbox"/>	1/2"	FGP-FPT-500	5" x 5"	5-1/2"	1/2"	0.72

Product

Meter Termination for use with TracPipe and CounterStrike

Project Information

Job Name:	Date Submitted:
Location:	Submitted By:
Engineer:	Approved By:
Contractor:	Manufacturer's Rep:

Installation

Must be installed in accordance with the TracPipe Design Guide and Installation Instructions and all applicable codes

Application Information

Meter Termination incorporating the AutoFlare fitting.

Technical Data

Materials

Nut, Adapter, Flange and Split Rings	Yellow Brass
Insert and 1" split rings	Stainless Steel
Mounting Plate & Pipe	Steel

Pressure Ratings (used with tubing)

Specification Operating Pressure	25 PSIG
CSA International Evaluation Report - Max Operating Pressure, 3/8" through 1-1/4"	125 PSIG

Temperature Ratings (used with tubing)

Operating Temperature Range	-20 to 200 Deg F
-----------------------------	------------------



Codes

ICC Codes (IFGC, IRC, IMC, IPC), NFPA 54, UPC, CAN/CSA B149.1, NFPA 58

Standards

ANSI LC1 / CSA 6.26, ANSI Z223.1

Listings

CSA, ICC PMG 1046 / 1058, IAPMO (UPC) File No. 3682 / ES ER-0227

Dimensional Information

✓	Size	P/N	Diameter across flats (Nom. in.)		Fitting length (Nom. in.)	TracPipe or CounterStrike Size	Weight (lbs)
			Nut	Body			
<input type="checkbox"/>	1/2"	FGP-MT6-500	1-5/8"	1-1/8"	6"	1/2"	1.8
<input type="checkbox"/>	3/4"	FGP-MT6-750	1-5/8"	1-3/8"	6"	3/4"	1.8
<input type="checkbox"/>	1"	FGP-MT6-1000	1-5/8"	1-5/8"	6"	1"	1.8
<input type="checkbox"/>	1"	FGP-MT9-1000	1-5/8"	1-5/8"	9"	1"	2.6
<input type="checkbox"/>	1/2"	FGP-MT12-500	1-5/8"	1-1/8"	12"	1/2"	2.6
<input type="checkbox"/>	3/4"	FGP-MT12-750	1-5/8"	1-3/8"	12"	3/4"	2.6
<input type="checkbox"/>	1"	FGP-MT12-1000	1-5/8"	1-5/8"	12"	1"	2.6

Product

Meter Termination Bracket for TracPipe and CounterStrike

Project Information

Job Name:	Date Submitted:
Location:	Submitted By:
Engineer:	Approved By:
Contractor:	Manufacturer's Rep:

Installation

Must be installed in accordance with the TracPipe Design Guide and Installation Instructions and all applicable codes

Application Information

Used with FGP-MT Meter Termination series

Technical Data

Materials

Galvanized Steel

Pressure Ratings (used with tubing)

N/A

Temperature Ratings (used with tubing)

Operating Temperature Range -20 to 200 Deg F



Codes

Standards

Listings

Dimensional Information

	Size	P/N	L x H x D	TracPipe or CounterStrike Size	Weight (lbs)
<input type="checkbox"/>	All	FGP-MT-BRAC	5" x 5" x 2-3/4"	1/2" THRU 1"	0.8

Product

Metal Wall Box with 90° Valve Assembly for use with TracPipe and CounterStrike

Project Information

Job Name:	Date Submitted:
Location:	Submitted By:
Engineer:	Approved By:
Contractor:	Manufacturer's Rep:

Installation

Must be installed in accordance with the TracPipe Design Guide and Installation Instructions and all applicable codes

Application Information

Metal wall box with valve for use with zero clearance appliance installations. Reverse Mounting tabs to accommodate double sheetrock walls. For Indoor Use Only. Wall Box is Fire Rated to UL 1479.

Technical Data

Materials

Nut, Adapter, Flange and Split Rings	Yellow Brass
Insert	Stainless Steel
Wall Box	Powder Coated Steel

Pressure Ratings (used with tubing)

Specification Operating Pressure	1/2 PSIG
Max Test Pressure	60 PSIG

Temperature Ratings (used with tubing)

Operating Temperature Range	-20 to 200 Deg F
-----------------------------	------------------



Codes

ICC Codes (IFGC, IRC, IMC, IPC), NFPA 54, UPC, CAN/CSA B149.1, NFPA 58

Standards

ANSI LC1 / CSA 6.26, ANSI Z21.15, ANSI Z223.1, UL 1479

Listings

CSA, ICC PMG 1046 / 1058, IAPMO (UPC) File No. 3682 / ES ER-0227

Dimensional Information

✓	Size	P/N	Diameter across flats (Nom. in.)		Box Dim L x H x D		Valve Outlet	TracPipe or CounterStrike	
			Nut	Valve Body	Trim Ring Dim	NPT	Size	Weight (lbs)	
<input type="checkbox"/>	3/8"	FGP-WBTM-375	1"	1-1/8"	5" x 5" x 3-1/8"	6-3/4" x 6-3/4"	1/2"	3/8"	2.3
<input type="checkbox"/>	1/2"	FGP-WBTM-500	1-1/8"	1-1/8"	5" x 5" x 3-1/8"	6-3/4" x 6-3/4"	1/2"	1/2"	2.3
<input type="checkbox"/>	3/4"	FGP-WBTM-750	1-3/8"	1-3/8"	5" x 5" x 3-1/8"	6-3/4" x 6-3/4"	3/4"	3/4"	2.8

Omega Flex, Inc. * 451 Creamery Way* Exton, PA 19341

Tel: 610-524-7272 * Toll Free: 800-671-8622 * Fax: 610-524-7282

www.omegaflex.com

Product

Manifolds for use with TracPipe and CounterStrike

Project Information

Job Name:	Date Submitted:
Location:	Submitted By:
Engineer:	Approved By:
Contractor:	Manufacturer's Rep:

Installation

Must be installed in accordance with the TracPipe Design Guide and Installation Instructions and all applicable codes

Application Information

Manifolds used to facilitate parallel piping installations. May be used in concealed locations on low pressure systems without Line Pressure regulators.

Technical Data

Materials

Cast Iron

Pressure Ratings (used with tubing)

Specification Operating Pressure	25 PSIG
CSA International Evaluation Report - Max Operating Pressure, 3/8" through 1-1/4"	125 PSIG

Temperature Ratings (used with tubing)

Operating Temperature Range	-20 to 200 Deg F
-----------------------------	------------------



Codes

ICC Codes (IFGC, IRC, IMC, IPC), NFPA 54, UPC, CAN/CSA B149.1, NFPA 58

Standards

ANSI LC1 / CSA 6.26, ANSI Z223.1

Listings

CSA, ICC PMG 1046 / 1058, IAPMO (UPC) File No. 3682 / ES ER-0227

Dimensional Information

✓	P/N	OD (Nom. in.)	Manifold length (Nom. in.)	Run Sizes	Port Size	Weight (lbs)
<input type="checkbox"/>	FGP-MI-PC	1-1/2"	9-5/8"	1/2", 3/4"	1/2"	1.9
<input type="checkbox"/>	FGP-MI-PC-1X	2"	11-1/2"	1", 1-1/4"	3/4"	5.5
<input type="checkbox"/>	FGP-MI-PC-2X	3-1/8"	14-5/8"	1-1/2", 2"	1"	13

Product

Manifold Bracket

Project Information

Job Name:	Date Submitted:
Location:	Submitted By:
Engineer:	Approved By:
Contractor:	Manufacturer's Rep:

Installation

Must be installed in accordance with the TracPipe Design Guide and Installation Instructions and all applicable codes

Application Information

For use with FGP-MI-PC manifold only

Technical Data

Materials

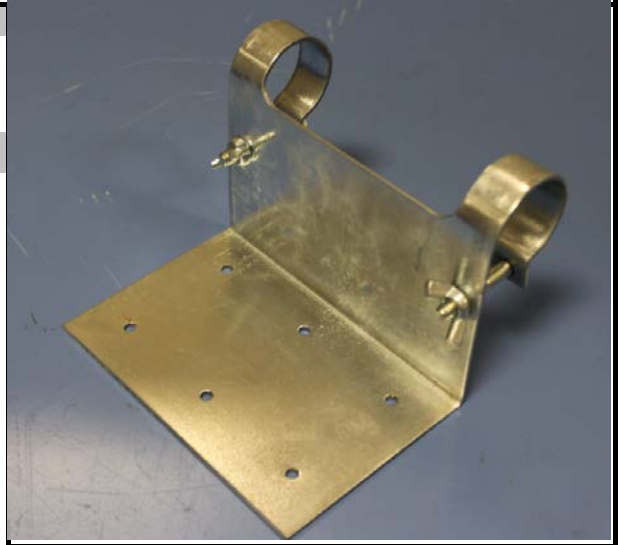
Galvanized Steel

Pressure Ratings (used with tubing)

N/A

Temperature Ratings (used with tubing)

Operating Temperature Range -20 to 200 Deg F



Codes

Standards

Listings

Dimensional Information

✓

	P/N	L x H x D	Weight (lbs)
<input type="checkbox"/>	FGP-MB2	5-1/4" x 5-1/4" x 4"	1.3

Product

Stackable Manifold

Project Information

Job Name:	Date Submitted:
Location:	Submitted By:
Engineer:	Approved By:
Contractor:	Manufacturer's Rep:

Installation

Must be installed in accordance with the TracPipe Design Guide and Installation Instructions and all applicable codes

Application Information

Two port manifolds with pressure test port designed for smaller systems and to facilitate additional outlets to existing manifold installations. Equipped with a 1/4" Pressure test port.

Technical Data

Materials

Cast Iron

Pressure Ratings (used with tubing)

Specification Operating Pressure 25 PSIG

CSA International Evaluation Report - Max Operating Pressure, 3/8" through 1-1/4" 125 PSIG

Temperature Ratings (used with tubing)

Operating Temperature Range -20 to 200 Deg F



Codes

ICC Codes (IFGC, IRC, IMC, IPC), NFPA 54, UPC, CAN/CSA B149.1, NFPA 58

Standards

ANSI LC1 / CSA 6.26, ANSI Z223.1

Listings

CSA, ICC PMG 1046 / 1058, IAPMO (UPC) File No. 3682 / ES ER-0227

Dimensional Information

✓	Size	P/N	Manifold		Port Size	Run FNPT - MNPT	Weight (lbs)
			OD (Nom In.)	Length (Nom In.)			
<input type="checkbox"/>	1/2"	FGP-MI-ST-500	1-3/8"	6"	1/2"	1/2" - 1/2"	1.4
<input type="checkbox"/>	3/4"	FGP-MI-ST-750	1-3/8"	6"	1/2"	3/4" - 3/4"	1.4

Omega Flex, Inc. * 451 Creamery Way* Exton, PA 19341

Tel: 610-524-7272 * Toll Free: 800-671-8622 * Fax: 610-524-7282

www.omegaflex.com

Product

Stackable Manifold Bracket

Project Information

Job Name:	Date Submitted:
Location:	Submitted By:
Engineer:	Approved By:
Contractor:	Manufacturer's Rep:

Installation

Must be installed in accordance with the TracPipe Design Guide and Installation Instructions and all applicable codes

Application Information

Mounting bracket for use with Stackable Manifolds

Technical Data

Materials

Galvanized Steel

Pressure Ratings (used with tubing)

N/A

Temperature Ratings (used with tubing)

Operating Temperature Range -20 to 200 Deg F



Codes

Standards

Listings

Dimensional Information

✓

	P/N	L x H x W	Weight (lbs)
<input type="checkbox"/>	FGP-MB-ST	4" x 4-1/2" x 1-1/2"	0.4

Product

Load Center w/ Manifold Bracket for use with TracPipe and CounterStrike

Project Information

Job Name:	Date Submitted:
Location:	Submitted By:
Engineer:	Approved By:
Contractor:	Manufacturer's Rep:

Installation

Must be installed in accordance with the TracPipe Design Guide and Installation Instructions and all applicable codes

Application Information

For use with FGP-MI-PC Manifold and FGP-REG-3 Regulator only. Load center will mount between standard 16" O.C. Studs. Does not include piping or Regulator.



Technical Data

Materials

Powder Coated Steel

Pressure Ratings (used with tubing)

N/A

Temperature Ratings (used with tubing)

Operating Temperature Range -20 to 200 Deg F

Codes

Standards

Listings

Dimensional Information

✓	Size	P/N	L x W x D	Weight (lbs)
<input type="checkbox"/>		FGP-LC	25-1/4" x 15-3/4" x 4-1/4"	11.3

Product

Bonding Clamps

Project Information

Job Name:	Date Submitted:
Location:	Submitted By:
Engineer:	Approved By:
Contractor:	Manufacturer's Rep:

Installation

Must be installed in accordance with the TracPipe Design Guide and Installation Instructions and all applicable codes

Application Information

UL 467 Tested Bonding Clamp for use on Pipe and Brass Fitting Hex Flats.

Technical Data

Materials

Body	Brass
Screw	Stainless Steel

Pressure Ratings (used with tubing)

N/A

Temperature Ratings (used with tubing)

Operating Temperature Range -20 to 200 Deg F

Codes

NFPA 780

Standards

UL 467/CSA C22.2

Listings

UL

Dimensional Information

✓	P/N	TracPipe or CounterStrike Size	Weight (lbs)
<input type="checkbox"/>	FGP-GC-1	3/8", 1/2", 3/4"	0.2
<input type="checkbox"/>	FGP-GC-2	1", 1-1/4"	0.4
<input type="checkbox"/>	FGP-GC-3	1-1/2", 2"	1.0



Product

PS-II Adapter Assembly (Male NPT)

Project Information

Job Name:	Date Submitted:
Location:	Submitted By:
Engineer:	Approved By:
Contractor:	Manufacturer's Rep:

Installation

Must be installed in accordance with the TracPipe Design Guide and Installation Instructions and all applicable codes

Application Information

Connection of PS-II to NPT fitting.



Technical Data

Materials

Nut, Adapter, Flange and Split Rings	Yellow Brass
Insert and 1" Split Ring	Stainless Steel

Pressure Ratings (used with tubing)

Specification Operating Pressure	25 PSIG
Max Test Pressure	40 PSIG

Temperature Ratings (used with tubing)

Operating Temperature Range	-20 to 200 Deg F
-----------------------------	------------------

Codes

ICC Codes (IFGC, IRC, IMC, IPC), NFPA 54 , UPC, CAN/CSA B149.1, NFPA 58

Standards

ANSI LC1 / CSA 6.26, ANSI Z223.1

Listings

CSA, ICC PMG 1046 / 1052, IAPMO (UPC) File No. 4665

Dimensional Information

✓	Size	P/N	Diameter across flats (Nom. in.)	Fitting length (Nom. in.)	TracPipe or CounterStrike Size	Weight (lbs)
<input type="checkbox"/>	3/8"	FGP-UGF-375	1"	3-3/4"	3/8"	0.45
<input type="checkbox"/>	1/2"	FGP-UGF-500	1-1/8"	3-7/8"	1/2"	0.50
<input type="checkbox"/>	3/4"	FGP-UGF-750	1-3/8"	4-1/8"	3/4"	0.65
<input type="checkbox"/>	1"	FGP-UGF-1000	1-5/8"	4-3/4"	1"	0.90
<input type="checkbox"/>	1-1/4"	FGP-UGF-1250	2-5/8"	5-1/4"	1-1/4"	1.60
<input type="checkbox"/>	1-1/2"	FGP-UGF-1500	3"	5-7/8"	1-1/2"	2.65
<input type="checkbox"/>	2"	FGP-UGF-2000	3-1/16"	6-1/2"	2"	4.30

Product

PS-II Coupling Assembly

Project Information

Job Name:	Date Submitted:
Location:	Submitted By:
Engineer:	Approved By:
Contractor:	Manufacturer's Rep:

Installation

Must be installed in accordance with the TracPipe Design Guide and Installation Instructions and all applicable codes

Application Information

Connection of identical sizes of PS-II.

Technical Data

Materials

Nut, Adapter, Flange and Split Rings	Yellow Brass
Insert and 1" Split Ring	Stainless Steel

Pressure Ratings (used with tubing)

Specification Operating Pressure	25 PSIG
Max Test Pressure	40 PSIG

Temperature Ratings (used with tubing)

Operating Temperature Range	-20 to 200 Deg F
-----------------------------	------------------



Codes

ICC Codes (IFGC, IRC, IMC, IPC), NFPA 54, UPC, CAN/CSA B149.1, NFPA 58

Standards

ANSI LC1 / CSA 6.26, ANSI Z223.1

Listings

CSA, ICC PMG 1046 / 1052, IAPMO (UPC) File No. 4665

Dimensional Information

✓	Size	P/N	Diameter across flats (Nom. in.)	Fitting length (Nom. in.)	TracPipe or CounterStrike Size	Weight (lbs)
<input type="checkbox"/>	3/8"	FGP-UGC-375	1"	6"	3/8"	0.65
<input type="checkbox"/>	1/2"	FGP-UGC-500	1-1/8"	6-1/4"	1/2"	0.70
<input type="checkbox"/>	3/4"	FGP-UGC-750	1-3/8"	7-1/8"	3/4"	1.05
<input type="checkbox"/>	1"	FGP-UGC-1000	1-5/8"	7-5/8"	1"	1.40
<input type="checkbox"/>	1-1/4"	FGP-UGC-1250	2-5/8"	8-3/8"	1-1/4"	2.50
<input type="checkbox"/>	1-1/2"	FGP-UGC-1500	3"	10-1/8"	1-1/2"	4.25
<input type="checkbox"/>	2"	FGP-UGC-2000	3-1/16"	10-5/8"	2"	6.90

Product

Striker Plates

Project Information

Job Name:	Date Submitted:
Location:	Submitted By:
Engineer:	Approved By:
Contractor:	Manufacturer's Rep:

Installation

Must be installed in accordance with the TracPipe Design Guide and Installation Instructions and all applicable codes

Application Information

Protection from Potential Puncture

Technical Data

Materials

Hardened Steel RB >75

Pressure Ratings (used with tubing)

N/A

Temperature Ratings (used with tubing)

Operating Temperature Range N/A



Codes

ICC Codes (IFGC, IRC, IMC, IPC), NFPA 54 , UPC, CAN/CSA B149.1, NFPA 58, UPC

Standards

ANSI LC1 / CSA 6.26, ANSI Z223.1

Listings

CSA, ICC PMG 1046 / 1052/ 1058 IAPMO (UPC) File No.3682 / 4665 / ES ER-0227

Dimensional Information

✓

	P/N	L x W	Weight (lbs)
<input type="checkbox"/>	FGP-SP-025	1-1/2" x 3"	0.1
<input type="checkbox"/>	FGP-SP-050	6-1/2" x 3"	0.3
<input type="checkbox"/>	FGP-SP-075	8" x 3"	0.4
<input type="checkbox"/>	FGP-SP-100	11-1/2" x 3"	0.6
<input type="checkbox"/>	FGP-SP-617	17" x 6-1/2"	1.8

Product

Ball Valve - Full Flow

Project Information

Job Name:	Date Submitted:
Location:	Submitted By:
Engineer:	Approved By:
Contractor:	Manufacturer's Rep:

Installation

Must be installed in accordance with the TracPipe Design Guide and Installation Instructions and all applicable codes

Application Information

Ball valve for installation upstream of the Line Pressure Regulator in elevated pressure systems. May be used for appliance shu-off valave

Technical Data

Materials

Yellow Brass

Pressure Ratings (used with tubing)

Specification Operating Pressure	25 PSIG
Max Test Pressure	100 PSIG

Temperature Ratings (used with tubing)

Operating Temperature Range	-20 to 200 Deg F
-----------------------------	------------------



Codes

ICC Codes (IFGC, IRC, IMC, IPC), NFPA 54 /, UPC, CAN/CSA B149.1, NFPA 58, UPC

Standards

ANSI LC1 / CSA 6.26, ANSI Z22.15, ANSI Z223.1, ASME B16.33 or ASME B16.44

Listings

CSA, ICC PMG 1046 / 1052, 1058 IAPMO (UPC) File No.3682 / 4665 / ES ER-0227

Dimensional Information

✓	Size	P/N	Valve length (Nom. in.)	Weight (lbs)
<input type="checkbox"/>	1/2"	FGP-WBV-500	2-1/4"	0.5
<input type="checkbox"/>	3/4"	FGP-WBV-750	2-3/4"	0.8

OmegaFlex, Inc. * 451 Creamery Way* Exton, PA 19341

Tel: 610-524-7272 * Toll Free: 800-671-8622 * Fax: 610-524-7282

www.omegaflex.com

Product

Quick Disconnect with Appliance Shut-Off Valve

Project Information

Job Name:	Date Submitted:
Location:	Submitted By:
Engineer:	Approved By:
Contractor:	Manufacturer's Rep:

Installation

Must be installed in accordance with the TracPipe Design Guide and Installation Instructions and all applicable codes

Application Information

For use at but not limited to outdoor BBQ and Patio Heater Locations. Indoor and outdoor use

Technical Data

Materials

Yellow Brass

Pressure Ratings (used with tubing)

Specification Operating Pressure	1/2 psig
Max Test Pressure	40 PSIG

Temperature Ratings (used with tubing)

Operating Temperature Range	-20 to 200 Deg F
-----------------------------	------------------



Codes

ICC Codes (IFGC, IRC, IMC, IPC), NFPA 54, UPC, CAN/CSA B149.1, NFPA 58, UPC

Standards

ANSI Z21.41/CSA-6.9 or ANSI Z21.90/CSA-6.24, ANSI Z223.1

Listings

CSA, ICC PMG 1046 / 1052 / 1058 IAPMO (UPC) File No. 3682 / 4665 / ES ER-0227

Dimensional Information

	Size	P/N	Valve length (Nom. in.)	Weight (lbs)
<input checked="" type="checkbox"/>	1/2"	FGP-QDS	4-1/4"	0.9

Product

90 deg. Appliance Stub Out for Use with TracPipe and CounterStrike

Project Information

Job Name:	Date Submitted:
Location:	Submitted By:
Engineer:	Approved By:
Contractor:	Manufacturer's Rep:

Installation

Must be installed in accordance with the TracPipe Design Guide and Installation Instructions and all applicable codes

Application Information

Schedule 40 B.I.P. 90 deg. stub out for use at movable appliance locations, with mounting plate

Technical Data

Materials

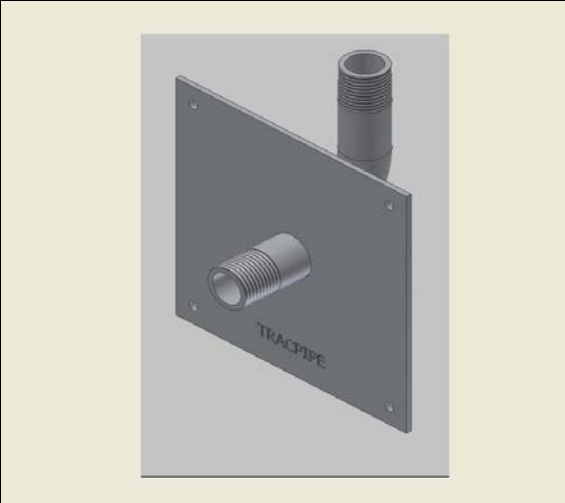
Schedule 40 B.I.P.
Mounting Plate 12 Ga. Carbon Steel

Pressure Ratings (used with tubing)

Specification Operating Pressure 25 PSIG
CSA International Evaluation Report - Max Operating Pressure,
3/8" through 1-1/4" 125 PSIG

Temperature Ratings (used with tubing)

Operating Temperature Range -20 to 200 Deg F



Codes

Standards

NPT Thread per ANSI B1.20.1

Listings

Dimensional Information

✓	Size	P/N	Mounting Flange Dim (Nom)	Fitting length (Nom. in.)	TracPipe or CounterStrike Size	Weight (lbs)
<input type="checkbox"/>	1/2"	FGP-ASP90S-500	5" x 5"	1-1/2"	1/2"	0.95
<input type="checkbox"/>	3/4"	FGP-ASP90S-750	5" x 5"	1-1/2"	3/4"	1.25

Product							
AutoSnap® Straight Fitting (Male-NPT) Assembly for TracPipe and CounterStrike							
Project Information							
Job Name:				Date Submitted:			
Location:				Submitted By:			
Engineer:				Approved By:			
Contractor:				Manufacturer's Rep:			
Installation							
Must be installed in accordance with the TracPipe Design Guide and Installation Instructions and all applicable codes							
Application Information							
Transition fitting between TracPipe or CounterStrike Tubing and NPT thread. Fitting thread is Male NPT. For use indoor, outdoor, and concealed location applications.							
Technical Data							
<u>Materials</u>							
Nut, Adapter, and Snap Ring		Yellow Brass					
<u>Pressure Ratings (used with tubing)</u>							
Specification Operating Pressure		25 PSIG					
CSA International Evaluation Report - Max Operating Pressure, 3/8" through 1-1/4"		125 PSIG					
<u>Temperature Ratings (used with tubing)</u>							
Operating Temperature Range		-20 to 200 Deg F					
Codes							
ICC Codes (IFGC, IRC, IMC, IPC), NFPA 54 , UPC, CAN/CSA B149.1, NFPA 58							
Standards							
ANSI LC1 / CSA 6.26. ANSI Z223.1							
Listings							
CSA, ICC PMG 1046 / 1058,							
Dimensional Information							
✓			<i>Diameter</i>	<i>Fitting</i>	<i>TracPipe or</i>		
	<i>Size</i>	<i>P/N</i>	<i>across flats</i>	<i>length</i>	<i>CounterStrike</i>	<i>Male NPT</i>	
			<i>(Nom. in.)</i>	<i>(Nom. in.)</i>	<i>Size</i>	<i>Pipe size</i>	<i>Weight (lbs)</i>
<input type="checkbox"/>	3/8"	FGP-SFST-375N	15/16"	2-1/8"	3/8"	3/8"	0.2
<input type="checkbox"/>	3/8"x1/2"	FGP-SFST-375	15/16"	2-1/8"	3/8"	1/2"	0.2
<input type="checkbox"/>	1/2"	FGP-SFST-500	1-1/8"	2-1/8"	1/2"	1/2"	0.3
<input type="checkbox"/>	1/2"x3/4"	FGP-SRST500-750	1-1/8"	2"	1/2"	3/4"	0.4
<input type="checkbox"/>	3/4"	FGP-SFST-750	1-3/8"	2-1/4"	3/4"	3/4"	0.4
<input type="checkbox"/>	3/4"x1/2"	FGP-SRST750-500	1-3/8"	2"	3/4"	1/2"	0.5
<input type="checkbox"/>	1"	FGP-SFST-1000	1-3/4"	2-1/2"	1"	1"	0.7
<input type="checkbox"/>	1"x3/4"	FGP-SRST1000-750	1-3/4"	2-1/8"	1"	3/4"	0.8
<input type="checkbox"/>	1-1/4"	FGP-SFST-1250	2"	2-3/4"	1-1/4"	1-1/4"	0.9
<input type="checkbox"/>	1-1/2"	FGP-SFST-1500	2-3/8"	3-1/4"	1-1/2"	1-1/2"	1.3
<input type="checkbox"/>	2"	FGP-SFST-2000	2-7/8"	3-1/2"	2"	2"	2.15



Omega Flex, Inc. * 451 Creamery Way* Exton, PA 19341

Tel: 610-524-7272 * Toll Free: 800-671-8622 * Fax: 610-524-7282

www.omegaflex.com

Product

AutoSnap® Straight Fitting (Female-NPT) Assembly for TracPipe® and TracPipe® CounterStrike®

Project Information

Job Name:	Date Submitted:
Location:	Submitted By:
Engineer:	Approved By:
Contractor:	Manufacturer's Rep:

Installation

Must be installed in accordance with the TracPipe Design Guide and Installation Instructions and all applicable codes

Application Information

Transition fitting between TracPipe or CounterStrike Tubing and NPT thread. Fitting thread is Female NPT. For use indoors, outdoors, and concealed location applications.

Technical Data

Materials

Nut, Adapter, Flange and Snap Ring Yellow Brass

Pressure Ratings (used with tubing)

Specification Operating Pressure 25 PSIG
 CSA International Evaluation Report - Max Operating Pressure
 3/8" through 1-1/4" 125 PSIG

Temperature Ratings (used with tubing)

Operating Temperature Range -20 to 200 Deg F



Codes

ICC Codes (IFGC, IRC, IMC), NFPA 54 / ANSI Z223.1, UPC, CAN/CSA B149.1, NFPA 58, UPC

Standards

ANSI LC1 / CSA 6.26, ANSI Z223.1

Listings

CSA, ICC PMG 1046 / 1052, IAPMO (UPC) File No. 4665

Dimensional Information

✓	Size	P/N	Diameter across flats (Nom. in.)	Fitting length (Nom. in.)	TracPipe or CounterStrike Size	Weight (lbs/ft)
<input type="checkbox"/>	3/8" x 1/2"	FGP-SFSTF-375	7/8"		3/8"	0.25
<input type="checkbox"/>	1/2"	FGP-SFSTF-500	1"		1/2"	0.29
<input type="checkbox"/>	3/4"	FGP-SFSTF-750	1-1/4"		3/4"	0.43
<input type="checkbox"/>	1"	FGP-FSTF-1000	1-3/4"		1"	0.78

Product

AutoSnap® Coupling Assembly for TracPipe and CounterStrike

Project Information

Job Name:	Date Submitted:
Location:	Submitted By:
Engineer:	Approved By:
Contractor:	Manufacturer's Rep:

Installation

Must be installed in accordance with the TracPipe Design Guide and Installation Instructions and all applicable codes

Application Information

Coupling fitting for use between like sizes of TracPipe or CounterStrike Tubing. For indoor, outdoor, and concealed location applications.



Technical Data

Materials

Nut, Adapter, and Snap Ring Yellow Brass

Pressure Ratings (used with tubing)

Specification Operating Pressure 25 PSIG
 CSA International Evaluation Report - Max Operating Pressure,
 3/8" through 1-1/4" 125 PSIG

Temperature Ratings (used with tubing)

Operating Temperature Range -20 to 200 Deg F

Codes

ICC Codes (IFGC, IRC, IMC, IPC), NFPA 54, UPC, CAN/CSA B149.1, NFPA 58

Standards

ANSI LC1 / CSA 6.26, ANSI Z223.1

Listings

CSA

Dimensional Information

✓	Size	P/N	Diameter across flats (Nom. in.)	Fitting length (Nom. in.)	TracPipe or CounterStrike Size	Weight (lbs)
<input type="checkbox"/>	3/8"	FGP-SCPLG-375	15/16"	2-3/8"	3/8" X 3/8"	0.3
<input type="checkbox"/>	1/2"	FGP-SCPLG-500	1-1/8"	2-3/4"	1/2" X 1/2"	0.5
<input type="checkbox"/>	3/4"	FGP-SCPLG-750	1-3/8"	2-7/8"	3/4" X 3/4"	0.7
<input type="checkbox"/>	1"	FGP-SCPLG-1000	1-3/4"	3-1/8"	1" X 1"	0.9
<input type="checkbox"/>	1-1/4"	FGP-SCPLG-1250	2"	3-1/2"	1-1/4" X 1-1/4"	2.0
<input type="checkbox"/>	1-1/2"	FGP-SCPLG-1500	2-3/8"	4"	1-1/2" X 1-1/2"	3.3
<input type="checkbox"/>	2"	FGP-SCPLG-2000	2-7/8"	4-5/8"	2" X 2"	5.5

Product

AutoSnap® Steel Flange Mount for TracPipe and CounterStrike

Project Information

Job Name:	Date Submitted:
Location:	Submitted By:
Engineer:	Approved By:
Contractor:	Manufacturer's Rep:

Installation

Must be installed in accordance with the TracPipe Design Guide and Installation Instructions and all applicable codes

Mounting

Termination fitting between TracPipe or CounterStrike Tubing and NPT thread. Fitting thread is Male NPT. For use indoor, outdoor, and concealed location applications.



Technical Data

Materials

Nut, Adapter, and Snap Ring	Yellow Brass
Mounting Flange	Steel

Pressure Ratings (used with tubing)

Specification Operating Pressure	25 PSIG
CSA International Evaluation Report - Max Operating Pressure, 3/8" through 1-1/4"	125 PSIG

Temperature Ratings (used with tubing)

Operating Temperature Range	-20 to 200 Deg F
-----------------------------	------------------

Codes

ICC Codes (IFGC, IRC, IMC, IPC), NFPA 54, UPC, CAN/CSA B149.1, NFPA 58

Standards

ANSI LC1 / CSA 6.26, ANSI Z223.1

Listings

CSA

Dimensional Information

✓	Size	P/N	Diameter across flats (Nom. in.)	Fitting length (Nom. in.)	TracPipe or CounterStrike Size	Weight (lbs)
<input type="checkbox"/>	3/8"	FGP-SRFG-375	15/16"	2-3/8"	3/8" X 3/8"	0.3
<input type="checkbox"/>	1/2"	FGP-SRFG-500	1-1/8"	2-3/4"	1/2" X 1/2"	0.5
<input type="checkbox"/>	3/4"	FGP-SRFG-750	1-3/8"	2-7/8"	3/4" X 3/4"	0.7
<input type="checkbox"/>	1"	FGP-SRFG-1000	1-3/4"	3-1/8"	1" X 1"	0.9
<input type="checkbox"/>	1-1/4"	FGP-SRFG-1250	2"	3-1/2"	1-1/4" X 1-1/4"	2.0

Product

Metal Wall Box with 90° AutoSnap® Valve Assembly for use with TracPipe and CounterStrike

Project Information

Job Name:	Date Submitted:
Location:	Submitted By:
Engineer:	Approved By:
Contractor:	Manufacturer's Rep:

Installation

Must be installed in accordance with the TracPipe Design Guide and Installation Instructions and all applicable codes

Application Information

Metal wall box with valve for use with zero clearance appliance installations. Reverse Mounting tabs to accommodate double sheetrock walls. For Indoor Use Only. Wall Box is Fire Rated to UL 1479.

Technical Data

Materials

Nut, Adapter and Snap Ring	Yellow Brass
Wall Box	Powder Coated Steel

Pressure Ratings (used with tubing)

Specification Operating Pressure	1/2 PSIG
Max Test Pressure	60 PSIG

Temperature Ratings (used with tubing)

Operating Temperature Range	-20 to 200 Deg F
-----------------------------	------------------



Codes

ICC Codes (IFGC, IRC, IMC, IPC), NFPA 54, UPC, CAN/CSA B149.1, NFPA 58

Standards

ANSI LC1 / CSA 6.26, ANSI Z21.15, ANSI Z223.1, UL 1479

Listings

CSA, ICC PMG 1046 / 1058

Dimensional Information

✓	Size	P/N	Diameter across flats (Nom. in.)		Box Dim L x H x D		Valve Outlet	TracPipe or CounterStrike	
			Nut	Valve Body	Trim Ring Dim	NPT	Size	Weight (lbs)	
<input type="checkbox"/>	1/2"	FGP-SWBTM-500	1-1/8"	1-1/8"	5" x 5" x 3-1/8"	6-3/4" x 6-3/4"	1/2"	1/2"	2.3
<input type="checkbox"/>	3/4"	FGP-SWBTM-750	1-3/8"	1-3/8"	5" x 5" x 3-1/8"	6-3/4" x 6-3/4"	3/4"	3/4"	2.8

Omega Flex, Inc. * 451 Creamery Way* Exton, PA 19341

Tel: 610-524-7272 * Toll Free: 800-671-8622 * Fax: 610-524-7282

www.omegaflex.com

Product

AutoSnap Tee Fitting Tubing by Pipe Outlet for TracPipe and CounterStrike

Project Information

Job Name:	Date Submitted:
Location:	Submitted By:
Engineer:	Approved By:
Contractor:	Manufacturer's Rep:

Installation

Must be installed in accordance with the TracPipe Design Guide and Installation Instructions and all applicable codes

Application Information

AutoSnap Tee fittings for TracPipe and CounterStrike. Tubing Runs by Pipe Branch.
Branch Thread is NPT

Technical Data

Materials

Nut, Adapter, and Snap Ring Yellow Brass

Pressure Ratings (used with tubing)

Specification Operating Pressure 25 PSIG

CSA International Evaluation Report - Max Operating Pressure
125 PSIG

Temperature Ratings (used with tubing)

Operating Temperature Range -20 to 200 Deg F



Codes

ICC Codes (IFGC, IRC, IMC, IPC), NFPA 54, UPC, CAN/CSA B149.1, NFPA 58

Standards

ANSI LC1 / CSA 6.26, ANSI Z223.1

Listings

CSA, ICC PMG 1046 / 1058, IAPMO (UPC) File No. 3682 / ES ER-0227

Dimensional Information

✓	Size	P/N	NPT	Diameter across flats (Nom. in.)	TracPipe or CounterStrike Size	Weight (lbs)
<input type="checkbox"/>	1/2"	FGP-ST500-750	3/4" M-NPT	1-1/8"	1/2"	0.9
<input type="checkbox"/>	1/2"	FGP-ST500-500	1/2" F-NPT	1-1/8"	1/2"	0.8
<input type="checkbox"/>	3/4"	FGP-ST750-500	1/2" F-NPT	1-3/8"	3/4"	1.1
<input type="checkbox"/>	3/4"	FGP-ST750-750	3/4" F-NPT	1-3/8"	3/4"	1.0
<input type="checkbox"/>	1"	FGP-ST1000-1000	1" F-NPT	1-3/4"	1"	2.0

Product					
AutoSnap Tee Fitting Tubing by Tubing for TracPipe and CounterStrike					
Project Information					
Job Name:			Date Submitted:		
Location:			Submitted By:		
Engineer:			Approved By:		
Contractor:			Manufacturer's Rep:		
Installation					
Must be installed in accordance with the TracPipe Design Guide and Installation Instructions and all applicable codes					
Application Information					
AutoSnap Tee fittings for TracPipe and CounterStrike. Tubing by Tubing Runs. Branch is Tubing.					
Technical Data					
<u>Materials</u>					
Nut, Adapter, and Snap Ring		Yellow Brass			
<u>Pressure Ratings (used with tubing)</u>					
Specification Operating Pressure		25 PSIG			
CSA International Evaluation Report - Max Operating Pressure		125 PSIG			
<u>Temperature Ratings (used with tubing)</u>					
Operating Temperature Range		-20 to 200 Deg F			
Codes					
ICC Codes (IFGC, IRC, IMC, IPC), NFPA 54, UPC, CAN/CSA B149.1, NFPA 58					
Standards					
ANSI LC1 / CSA 6.26, ANSI Z223.1					
Listings					
CSA, ICC PMG 1046 / 1058, IAPMO (UPC) File No. 3682 / ES ER-0227					
Dimensional Information					
✓		<i>R X R X B Sizes TracPipe or CounterStrike</i>		<i>Diameter across Hex flats R X R X B (Nom. in.)</i>	
<i>Size</i>	<i>P/N</i>	<i>Sizes</i>		<i>Weight (lbs)</i>	
<input type="checkbox"/>	1/2"	FGP-STF500-T500	1/2" X 1/2" x 1/2"		0.9
<input type="checkbox"/>	3/4"	FGP-STF750-T500	3/4" X 3/4" x 3/4"		1.1
<input type="checkbox"/>	1"	FGP-STF1000-T1000	1" X 1" x 1"		2.2
<input type="checkbox"/>	1/2"	FGP-SRT-501	1/2" X 3/8" X 3/8"		0.8
<input type="checkbox"/>	3/4"	FGP-SRT-751	3/4" X 1/2" X 3/8"		1.0
<input type="checkbox"/>	3/4"	FGP-SRT-752	3/4" X 1/2" X 1/2"		1.0
<input type="checkbox"/>	1"	FGP-SRT-1001	1" X 3/4" X 1/2"		2.0
<input type="checkbox"/>	1"	FGP-SRT-1002	1" X 3/4" X 3/4"		2.0
<input type="checkbox"/>	3/4"	FGP-STF750-T500	3/4" X 3/4" X 1/2"		1.1
<input type="checkbox"/>	1"	FGP-STF1000-T750	1" X 1" X 3/4"		2.1
<input type="checkbox"/>	1"	FGP-STF1000-T500	1" X 1" X 1/2"		2.1



Omega Flex, Inc. * 451 Creamery Way* Exton, PA 19341

Tel: 610-524-7272 * Toll Free: 800-671-8622 * Fax: 610-524-7282

www.omegaflex.com